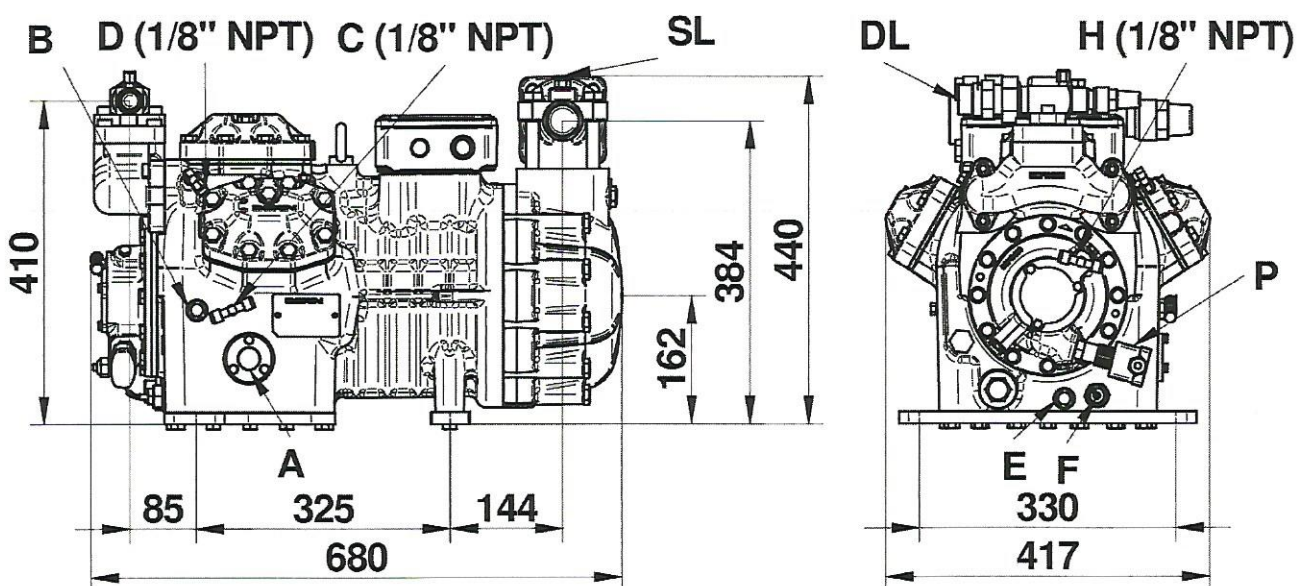


Serie Range	Modello Model	Vol. Spost. Displacement	Cilindri Cylinders	Carica olio Oil charge	Aspirazione Suction	Scarico Discharge	Peso netto Net weight
		50 Hz [m ³ /h]		[kg]	SL [mm]	DL [mm]	[kg]
H55	H1560CS	57,38	6	2,5	42s	28s	179
	H2060CC	57,38	6	2,5	42s	28s	179
	H2060CS	73,23	6	2,5	42s	28s	179
	H2560CC	73,23	6	2,5	42s	28s	179
	H2560CS	83,90	6	2,5	54s	35s	180
	H3060CC	83,90	6	2,5	54s	35s	180
	H2660CS	90,01	6	2,5	54s	35s	180
	H3160CC	90,01	6	2,5	54s	35s	180

Serie Range	Modello Model	Max corrente di funzionamento / Max operating current		Corrente a rotore bloccato / Locked rotor current	
		V / ph / Hz		V / ph / Hz	
		380-420 / 3 / 50 440-480 / 3 / 60 PWS	360-400 / 3 / 60 PWS	380-420 / 3 / 50 440-480 / 3 / 60 PWS	360-400 / 3 / 60 PWS
H55	H1560CS	34,0	41,0	171	205
	H2060CC	38,0	45,5	177	212
	H2060CS	38,0	45,5	177	212
	H2560CC	48,0	58	203	244
	H2560CS	48,0	58	203	244
	H3060CC	56	67	245	294
	H2660CS	48,0	58	203	244
	H3160CC	56	67	245	294

Figura / Figure

H55



OFFICINE MARIO DORIN S.p.A.

Via Aretina 388, 50061 Compiobbi - Florence, Italy
 Tel. +39 055 62321 1 - Fax +39 055 62321 380